



PAPER THIN
ORIGINAL
by lennart lauren

Studio: **Lennart Lauren**
Designer: **Lennart & Lauren Leerdam**
Country: **The Netherlands**
photography: **kasimir szekeres photography**
Illustrate work: **Material Transformation**
Material: **Stainless steel 0.5 / 0.6mm**
Website: **lennartlauren.com**
Email: **info@lennartlauren.com**
Instagram: **@lennartlauren**

Paperthin Stool: **€460,-**
Paperthin Bench: **€825,-**

** Prices include vat/btw
* Excl. shipping and handling costs*

PAPERTHIN ORIGINAL

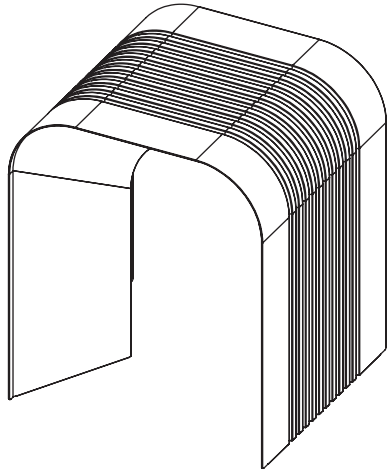
The old metal can production was based on two simple steps to achieve volume and strength from a relatively weak material.

Rolling a thin metal sheet into a mathematical round shape combined with rolling lines into the form.

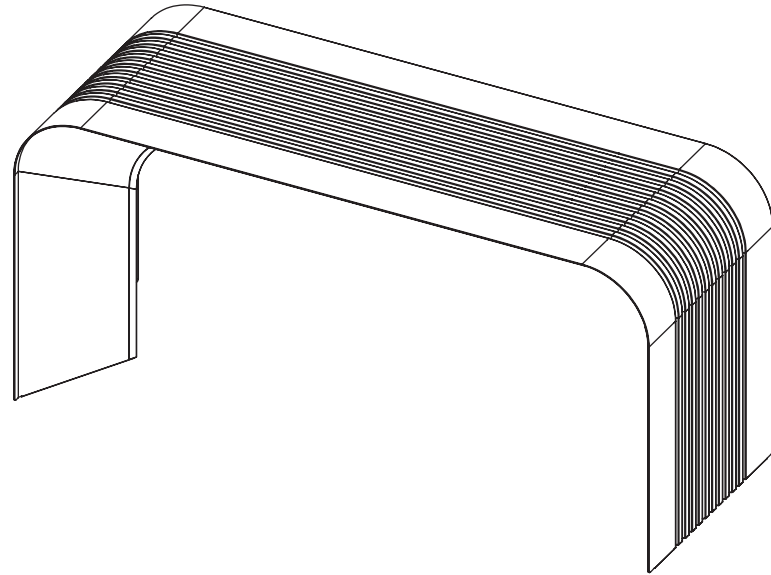
Connecting these features with modern tools resulted in a new and featherweight shape language that still breathes the essence of the classic tin can.

The award winning Paperthin concept is a perfect way to functionally demonstrate the strengths of transforming a weakness by simple techniques.

Suitable for indoor and outdoor use.



Paperthin Stool
W 380 mm
D 350 mm
H 460 mm
-
3.8kg



Paperthin Bench
W 950 mm
D 350 mm
H 460 mm
-
6.9kg



**Honey Yellow |
RAL 1005**



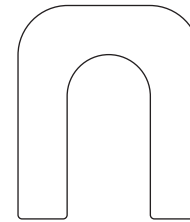
**Grey Blue |
RAL 5008**



**Blue Grey |
RAL 7031**



**Chrome Green |
RAL 6020**



**Custom colors are
available on request.**



by lennart lauren



by lennart lauren



by lennart lauren