

**GRIDPIT/  
FIREPIT**  
by lennart lauren

Studio: **Lennart Lauren**  
Designer: **Lennart & Lauren Leerdam**  
Country: **The Netherlands**  
photography: **Lennart Lauren**  
Material: **Enameled steel / Corten steel / Stainless steel**  
Website: **[lennartlauren.com](http://lennartlauren.com)**  
Email: **[info@lennartlauren.com](mailto:info@lennartlauren.com)**  
Instagram: **[@lennartlauren](https://www.instagram.com/lennartlauren)**

# GRIDPIT

A simple fire bowl with great versatility.

The design language is based on the traditional stove burner.

Which ensures recognition but also more functionality.

Available in two sizes; both are made up of five sturdy basic elements but clearly differ from each other in terms of use.

By placing one of the different grids you transform the bowl into a special cooking place.

And with the largest model you can light a solid fire while your favorite dishes are ready in no time.

Executed in Corten steel or enamel, both with a stainless steel grid and available in two standard sizes.

95% recyclable

# FIREPIT

Back to basic with an open and spacious fire pit.

A circle made up of a repeating pattern of geometric facets.

Which provides extra strength in the product but also adds more efficiency to the production process.

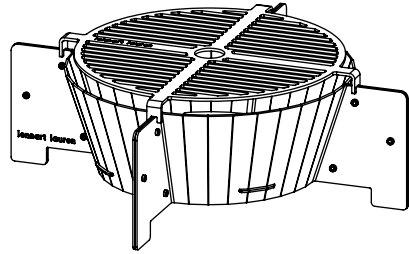
The overall aesthetic gets an exciting and contemporary character through this combination of sleek and round lines.

And acts as a connecting element in the outdoor space with its sculptural properties.

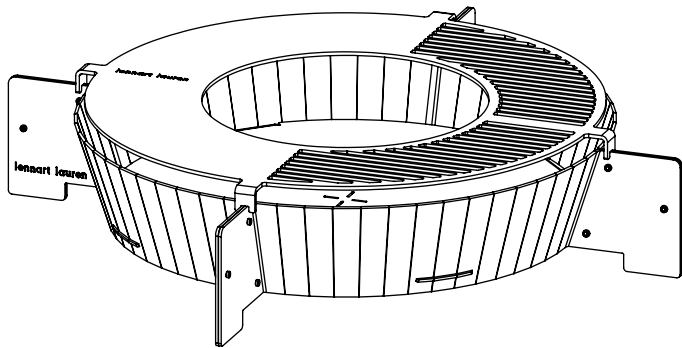
Executed in 4mm Corten steel with a standard size of Ø 90cm.

Various sizes are available on request.

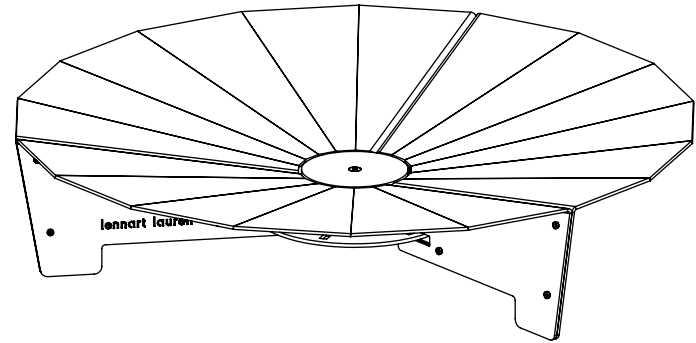
99% recyclable



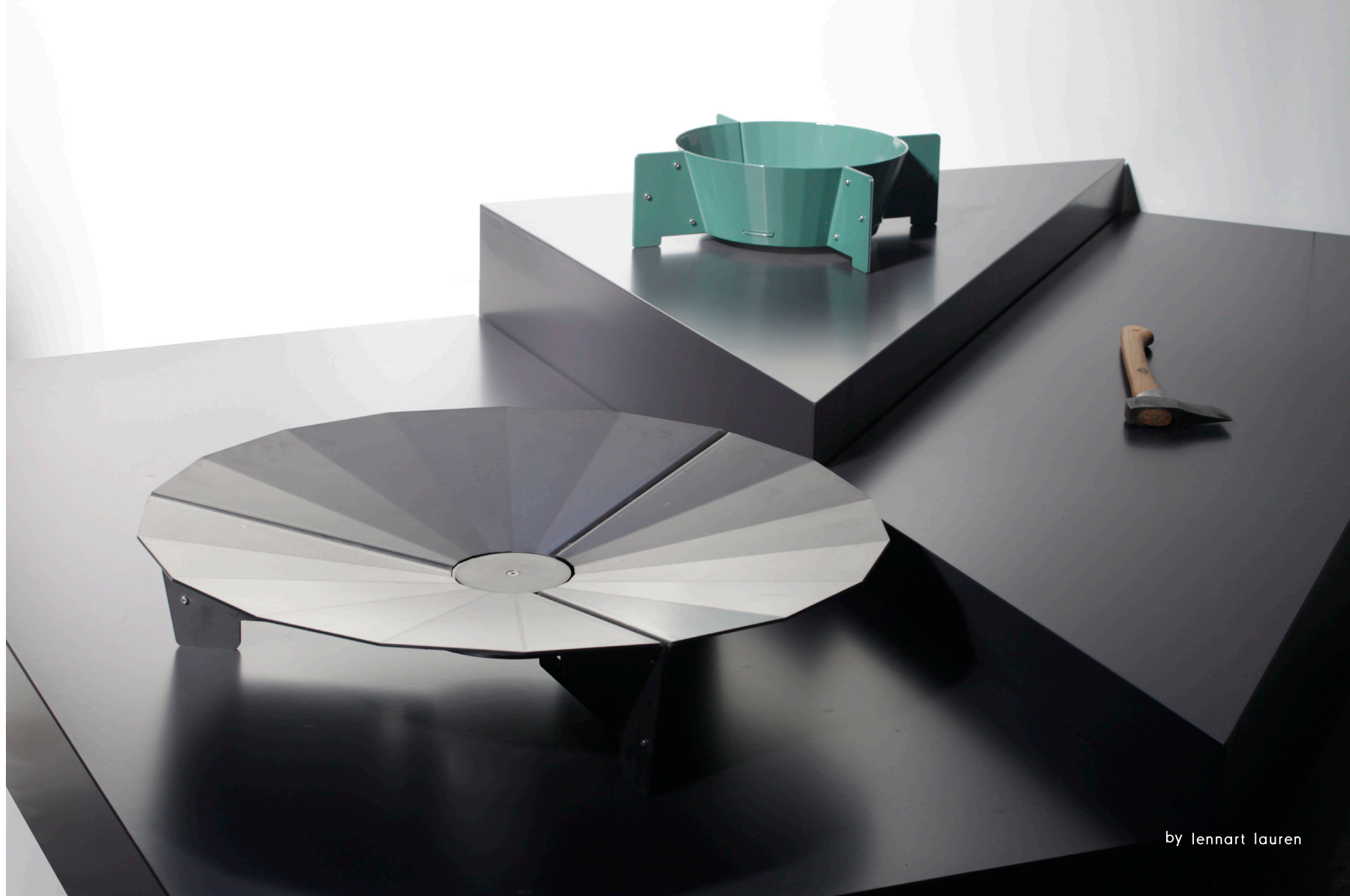
GRIDPIT M  
Ø 385 mm  
H 185 mm (incl. grid)  
-  
10kg



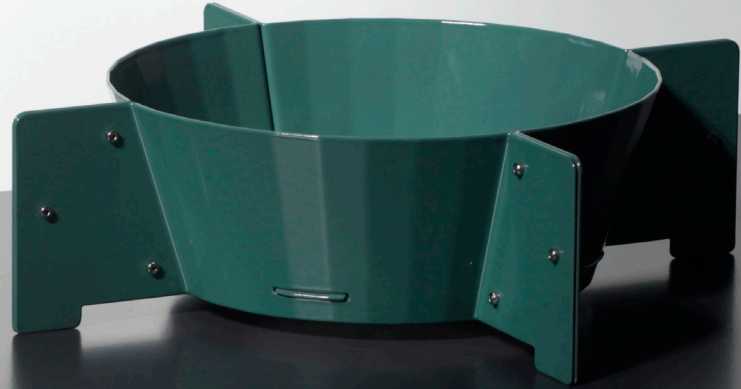
GRIDPIT L  
Ø 715 mm  
H 190 mm (incl. grid)  
-  
32.6kg



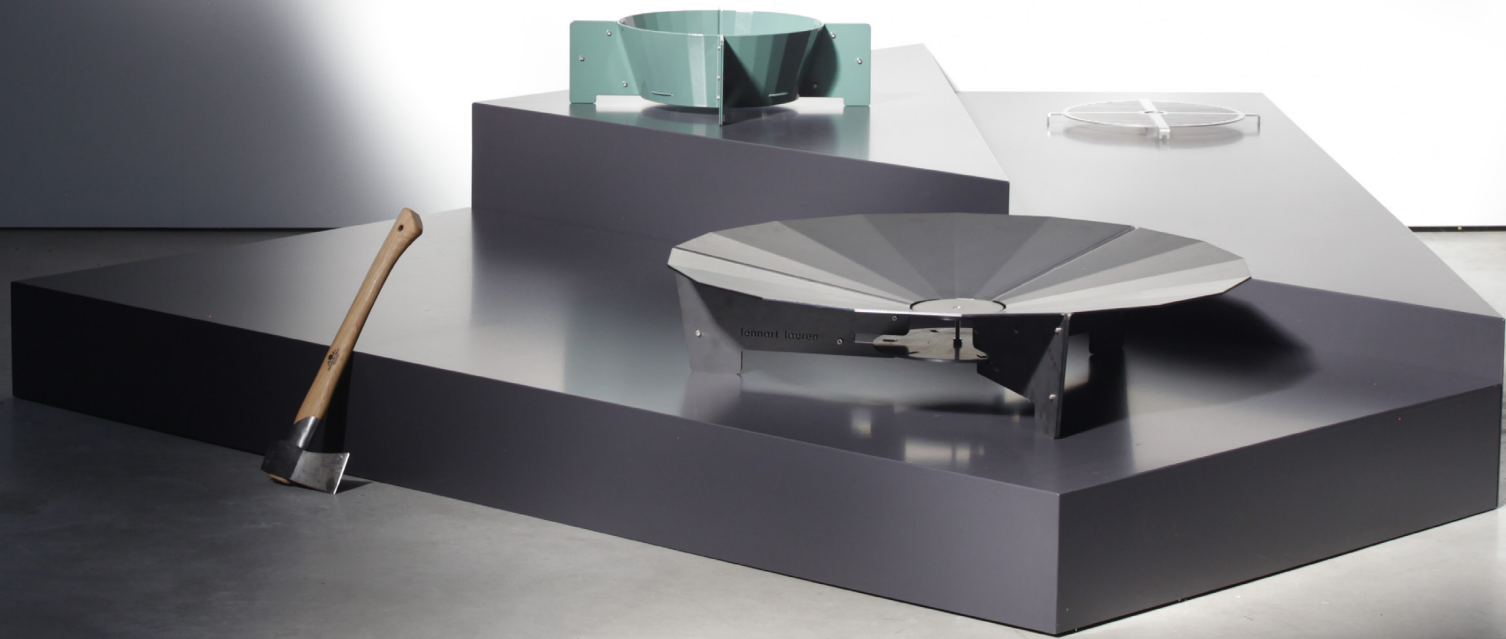
FIREPIT 90  
Ø 900 mm  
H 195 mm  
-  
29.8kg



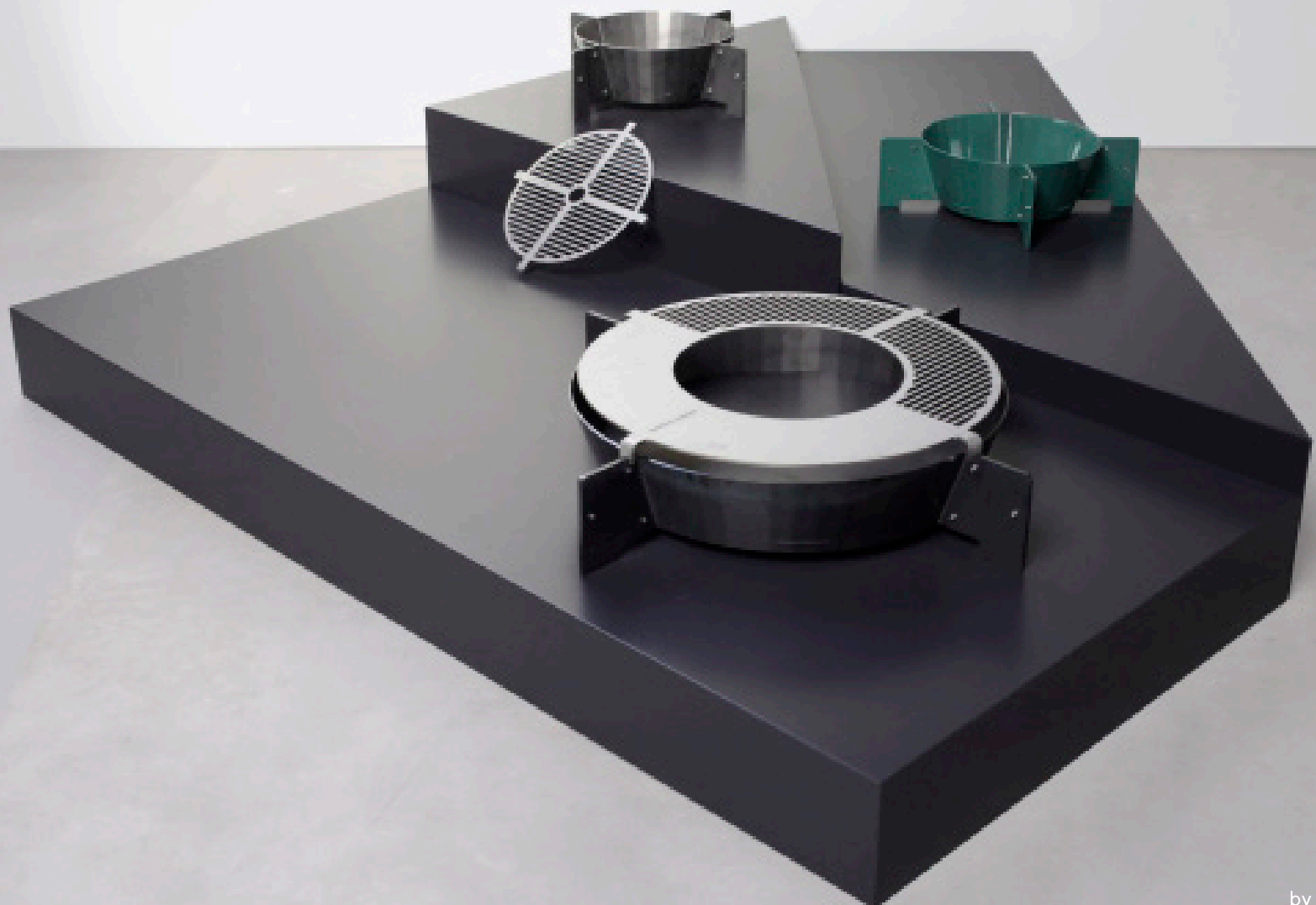
by lennart lauren



by Iennart Lauren



by lennart lauren



by Iennart Lauren





by lennart lauren