




BEAMS

by lennart lauren



Studio: **Lennart Lauren**
Designer: **Lennart & Lauren Leerdam**
Country: **The Netherlands**
photography: **Lennart Lauren**
Illustrate work: **Constructed profiles**
Material: **Aluminium 2mm**
Website: **lennartlauren.com**
Email: **info@lennartlauren.com**
Instagram: **[@lennartlauren](https://www.instagram.com/lennartlauren)**

“A new perspective on our icons”

The “BEAMS” series is a translation of the iconic metal profile beams.

As part of industrial buildings they often run as a constructive element through space.

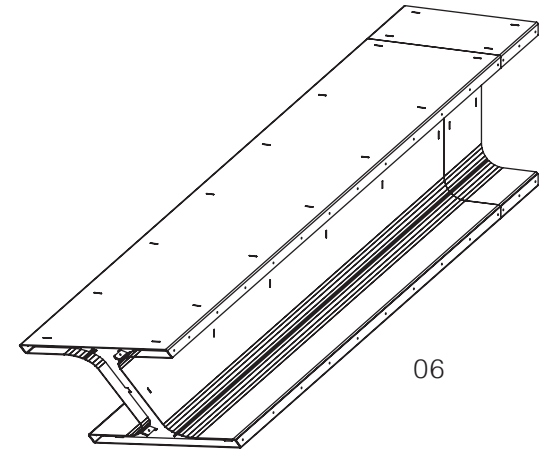
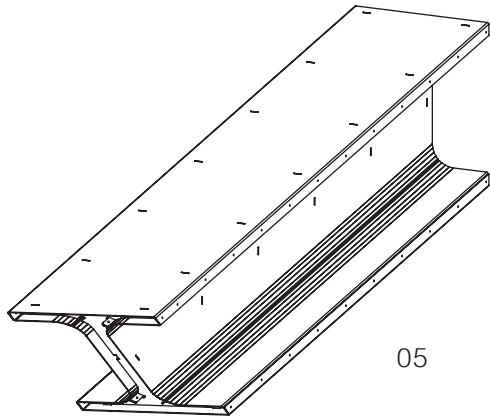
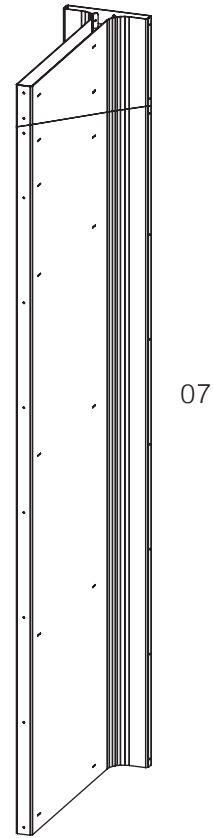
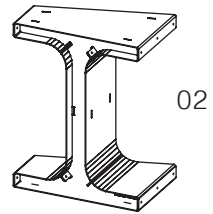
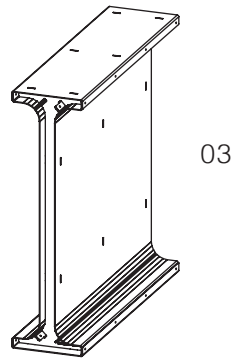
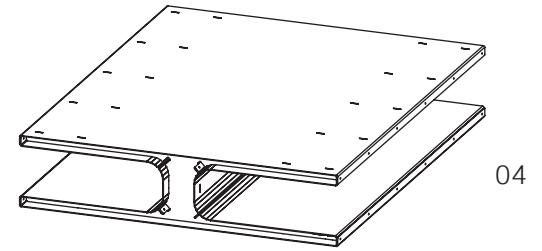
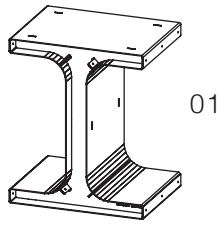
Whereby recognizable shape, strength and weight show a distinct character to the usefulness of the material.

Our ambition was to create a strong and lightweight construction method by which we could translate the basic forms into new and independent objects. Which can be used as a bench, stool, low table, trestle, side table and room divider

The shapes are made up of 2mm folded aluminum plates and connected by rivets.

Its internal grid strengthens the lightweight character of each object.

The various profile translations provide a playful and appealing entity and are suitable for both indoor and outdoor use.



Limited edition of 3 + 1AP
Limited edition of 3 + 1AP

**First edition consist of the following objects in various colors.
Customized versions are available on request.**

- 01 Beams stool: **W380 | D280 | H460mm - 4.4kg**
- 02 Beams circle stool: **W380 | D280 | H460mm - 3.3kg**
- 03 Beams trestle/consolatable: **W220 | D720 | H720mm - 9.7kg**
- 04 Beams table low: **W900 | D1100 | H200mm - 25.5kg**
- 05 Beams bench: **W380 | D2600 | H460mm - 31.5kg**
- 06 Beams duotone bench: **W380 | D2880 | H460mm - 36kg**
- 07 Beams duotone divider: **W240 | D640 | H2100mm - 23kg**



by lennart lauren



by lennart lauren